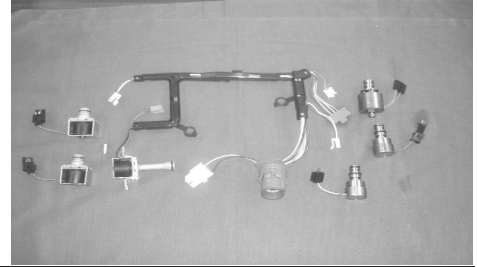


ELECTRICAL COMPONENTS

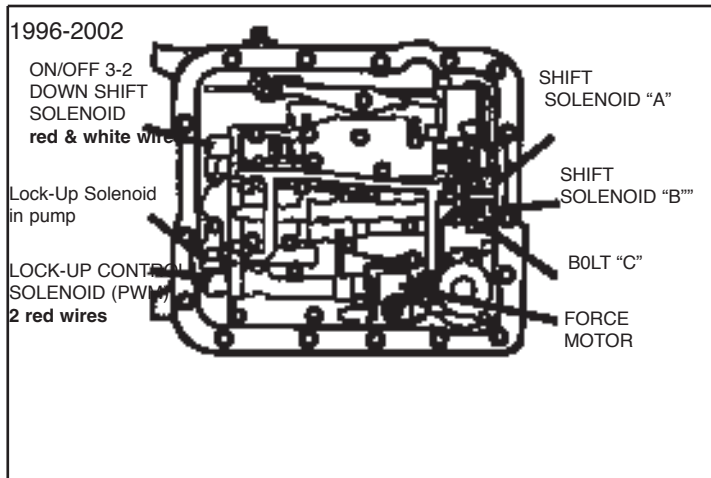
INSTALLATION INSTRUCTIONS

Super Master Solenoid Kit MS 4L60E '96 H '96-02



IMPORTANT: Because of the change in ohms of resistance in the K77926, this solenoid kit will work ONLY in 96-02 vehicles. The only difference between 4L60E & 4L60E '96 early and late Master Kits is the 3-2 downshift shift control solenoid. Early is 9-14 ohms (two red wires). Late is 20-31 ohms (red and white wires).

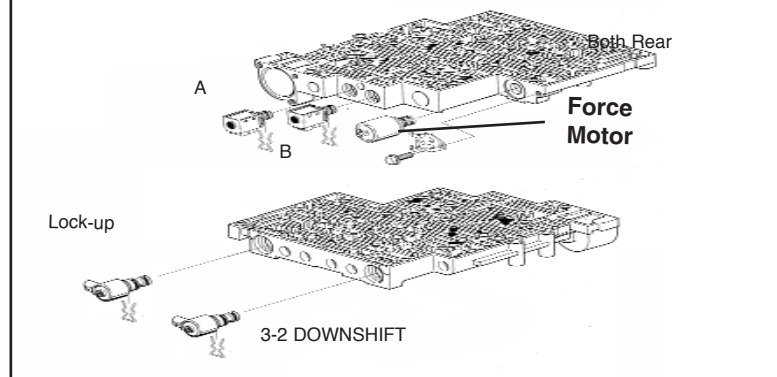
1. Remove the pan and pan gasket.
2. Remove the old harness case connector with the Teckpak GM Harness Removal Tool (Part# TGM-HR); the removal is done by placing the tool over the part of the harness protruding outside the transmission and pushing down, this will disengage the plastic retainers, allowing it to be pulled out from the pan side.
3. Unplug the old harness connector ends from the solenoids and the TOT.



4. Remove the transmission filter exposing the clip bolt on the force motor solenoid, the two bolts retaining the lock-up solenoids and the U-shaped retaining clips for the shift solenoids and PWM solenoids and the TOT sensor bolts.
5. Remove the solenoids from the transmission and the TOT, as shown in (Figure 1).
6. Remove the old harness off of the valve body.
7. Install the Teckpak harness by inserting the case connector end through the case and installing the Teckpak lockup solenoid on the other end of the harness into the pump and bolting it in. To finish installing the harness place the channel on the valve body with the two plastic circles on the harness over the bolts on to the valve body bosses, to hold the harness in place install the TOT over the tap on the harness channel with its three bolts.

8. Reconnect the solenoids. Connect the inner spade solenoid connector to the harness plug and then pull the outer cover connector over it until it clicks into the harness plug on the shift and PWM solenoids. Slide the spade ends into the harness plug with the plug latch sliding across the bridge turned away from the latch on the EPC solenoid.

Figure 2



9. After driving the vehicle, you may make the shift firmer or softer by adjusting the force motor solenoid. You will need a 3/8" and 5/8" wrench to adjust the solenoid. With both wrenches on the adjuster and lock nut, hold the 3/8" adjuster still while breaking the 5/8" locknut loose. Move the 3/8" adjuster one-sixth turn clockwise to increase the pressure or counterclockwise to decrease the pressure. It will change approximately 10 PSI per one-sixth turn.

LINE PRESSURES FOR 4L60E:

<u>Gear Range</u>	<u>Line Pressure</u>
Drive, Park or Neutral	70-189
Reverse	80-324

These are idle pressures to wide open throttle pressures.

If there are any questions about the installation of this product or any other Teckpak product, call our **Teckpak Hotline, 1-800-527-2544** or e-mail at customerservice@teckpak-fitzall.com.